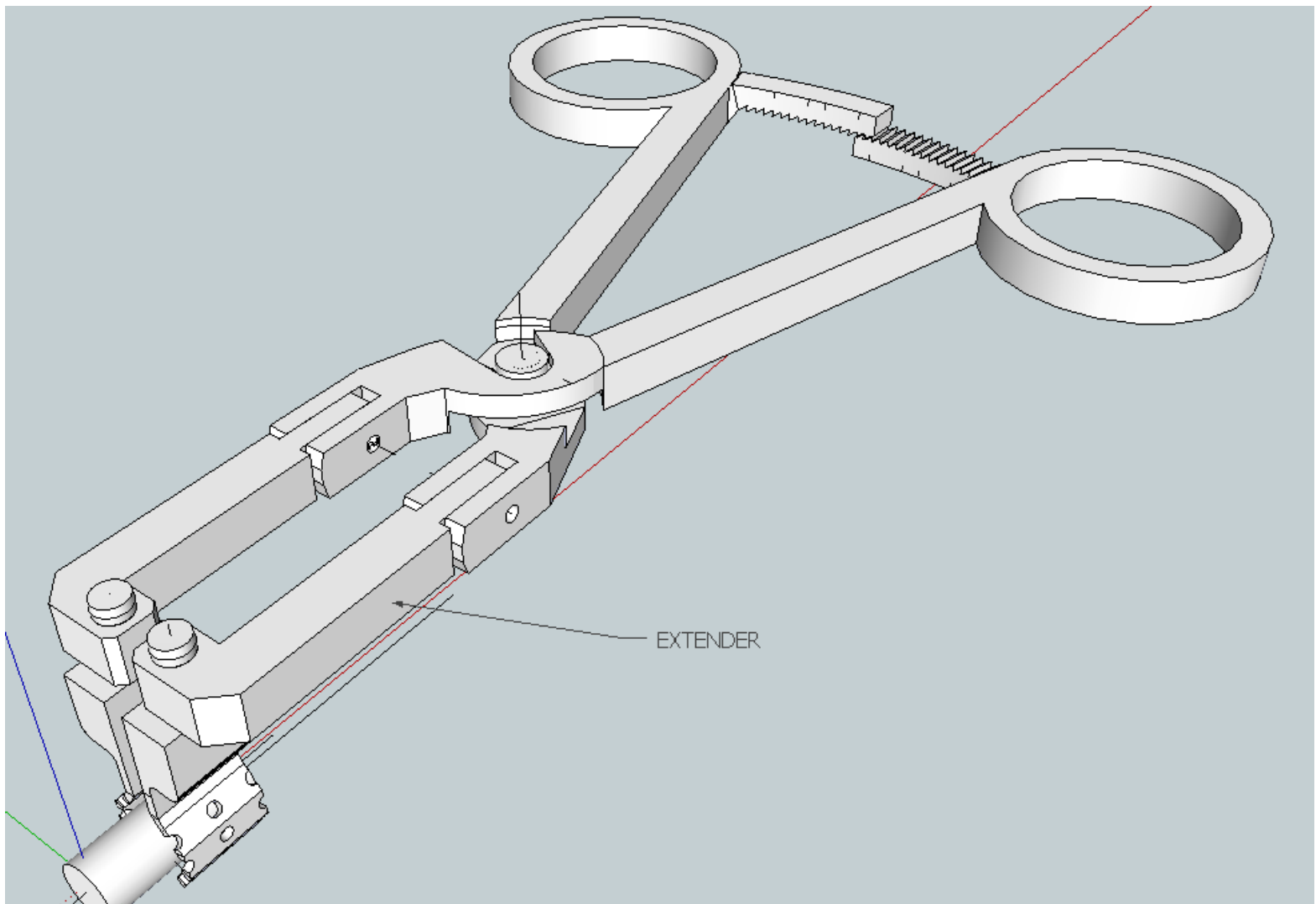


Curt Can Assist You With Your Prototyping and 3d Printing

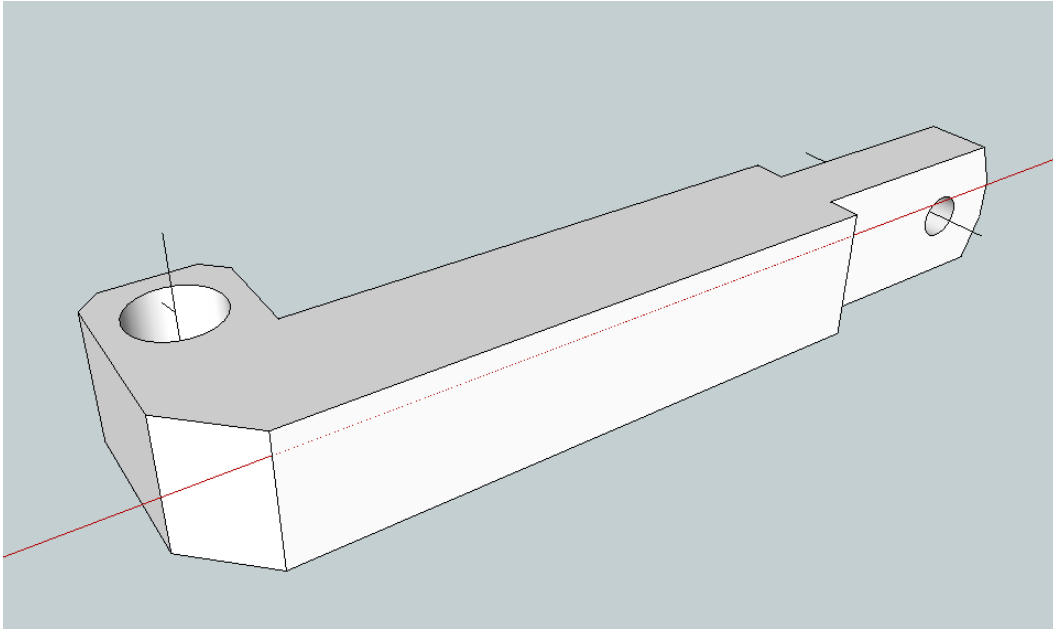
*Whether you're in the design phase or the 3D Printing Phase
for more information curt@curtvevang.com*

First Design the Product

In this case a Special Purpose Clamp was designed with SketchUp



Then Select Each Component to be Printed



and Lastly Convert Each Component to a .STL file
which is then ready for 3D Printing

