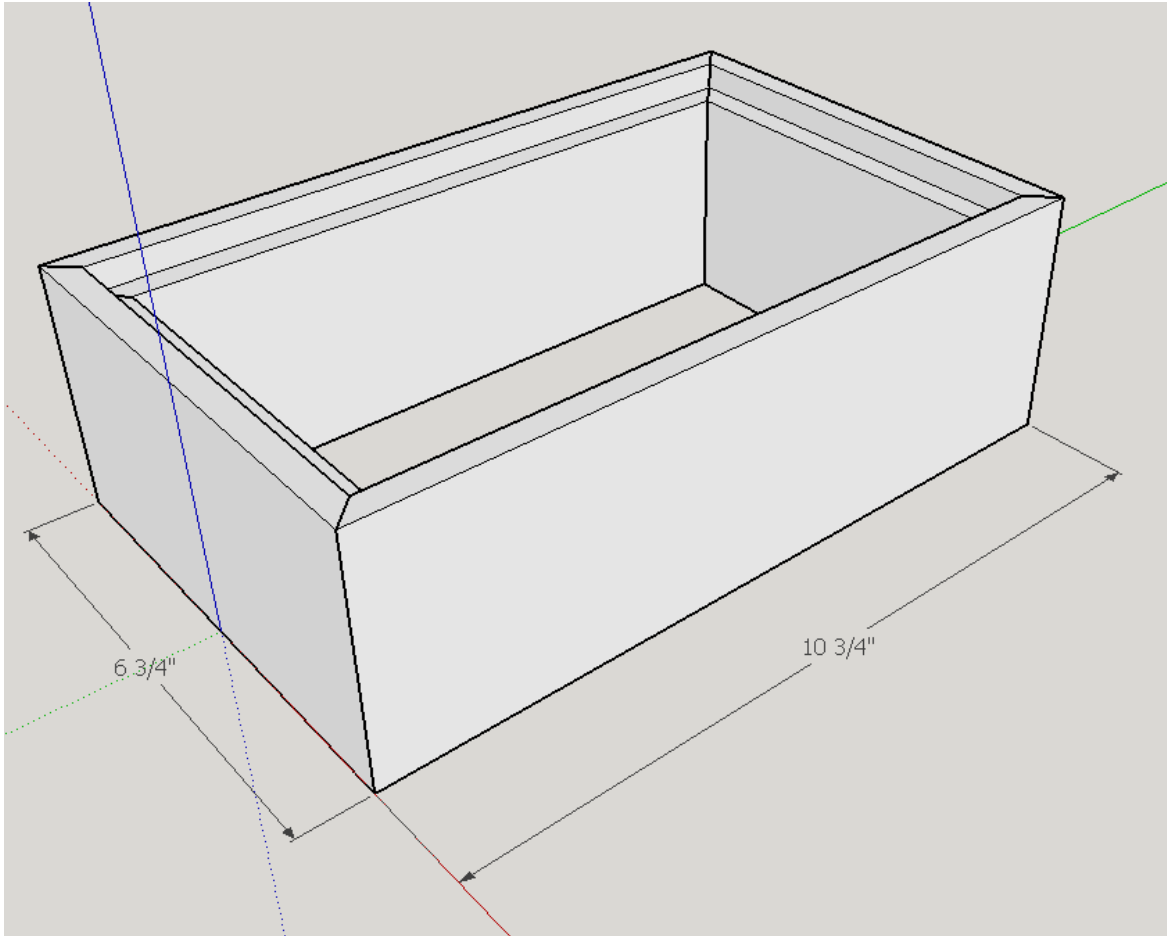


New Storage Box for both
Woodworking Class 102 at Conant HS
and Woodcraft Introduction to Woodworking 102

PowerTools Needed:

- table saw
- router in router table for rabbet
- reciprocating drum sander for knob



Process Steps - Begin with a 1x4 board 6' long – (actually 3/4" x 3-1/2" wide)

		Rough Cut		BOX	Trim to				
Ends	a	2 @ 8"	16	6-3/4"					
Sides	b	2 @ 12"	24	10-3/4"					
Top	c	2 @ 11"	22						
Remainder	d	1 @ 10"	10						
			72						

Process Steps for a 3 Session Class

Class 1 of 3

- Using Table Saw:
- Cross cut 2 boards (a) 8" for Ends
- Cross cut 2 boards (b) 12" for Sides
- Cross cut 2 boards (c) 11" for Top
- Set table saw blade to 45 degrees
- cut 1 end of both (a) boards at 45 degrees
- cut 1 end of both (b) boards at 45 degrees
- With table saw blade still at 45 degrees cut the other end of each (b) board to 10-3/4" long using a stop block on the miter gauge.
- With table saw blade still at 45 degrees cut the other end of each (a) board to 6-3/4" long using a stop block on the miter gauge.
- With table saw blade still set to 45 degrees make 8 spline slots approx 1/4" deep using a stop block mounted to the rip fence
- edge glue and clamp 2 (c) pieces to form 1 top 7" x 11"
- Review types of joints (optional)
- Review Wood Movement (optional)

Class II of 3

- On router table, rabbet 2 (a) end pieces and 2 (b) side pieces
- Use a planer to properly size the thickness of a board to be used for the splines. The thickness of the board should be a little less than twice the depth of the spline slots.
- cut splines (see notes)
- cut grooves in sides and ends for bottom of box
- table saw - cut bottom of box to size
- Dry fit box and clamp
- Review types of joints (optional)
- Review Wood Movement (optional)

Class III of 3

- Dry fit box and clamp
- Glue up box
- Table saw - cut top to size
- Make Handle and attach - or Class II if needed
- Trim splines on bandsaw with jig (4)
- Review types of joints (optional)
- Review Wood Movement (optional)